

## GEA Niro Soavi Technical Datasheet

### Laboratory Homogenizer

# TwinPanda 600

From the world leader in high pressure homogenization: absolute quality and reliability with advanced technical solutions for any process need.



#### Twin Panda 600 型

使用圧力 : MAX. 600 bar (60 MPa)  
 処理量 : 500 ml/分 (30 l/時)  
 動力 : 1.5 kW x 3相

This small table-top unit, designed for continuous operation at high pressure, is the perfect equipment for laboratory scale high pressure processing of food, dairy and beverage, fruit juices, liquid food, food additives and ingredients.

#### Compression block

- High grade Super Duplex stainless steel
- Designed to ensure the maximum stress resistance to maximise the performances and reliability at high operating pressure
- Solid ceramic pumping plungers equipped with specially designed packings to avoid the need of lubrication water
- Suction and delivery ball valves (PVB) in Stellite™, with replaceable suction valve seat in Stellite™
- Transducer with integrated digital display and 4-20mA remote pressure signal

#### Homogenizing valve

- Wear parts in tungsten carbide, fully reversible
- Manual pressure adjustment by means of a hand-wheel
- Second stage homogenizing valve as standard
- Allow front/side/upwards outlet to match with plant piping layout

### 同栄商事株式会社

〒555-0025 大阪市西淀川区姫里2丁目17番32号  
 エールリベルテ2F

TEL06-4808-8100 FAX06-4808-8222

E-mail : info@doyei.com

URL : <http://www.doyei.com>

#### Product Inlet/Outlet

- Tri-Clamp™ connections for inline installation
- No feeding pump is needed (for product viscosity up to 1000 cP)
- SS feeding hopper (2.5 l) supplied as standard

#### Power end

- Maintenance - free timing belt drive
- Three phase motor, suitable for variable speed drive
- Camshaft drive system and maintenance-free grease lubrication

#### Casing

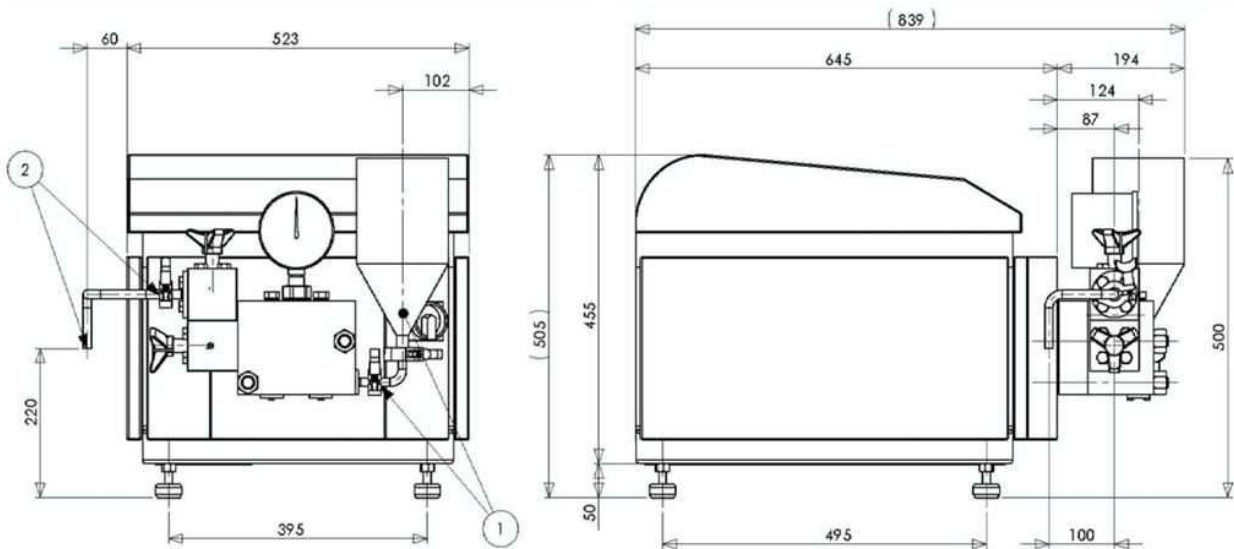
- Panels made in polished stainless steel, completely removable for maintenance and cleaning
- High quality paint steel base frame
- Adjustable anti-vibration rubber feet

#### Control panel

- Safety kit including:
- 1 plastic control board fixed inside the machine, 2 emergency pushbutton, Start/Stop pushbutton 3 Transducer with integrated digital display and 4-20mA remote pressure signal.
- The system stops machine when pressure is over 660 bar

# TwinPanda 600

## Dimensional drawing



Technical specifications are not mandatory and subject to change without notice. REV.1\_02/2012

The TwinPANDA 600's flexibility makes it a useful tool for many different sectors. Tests can be run even with small sample volumes, and the results are comparable with those achieved on bigger size machines. The machine is suitable for CIP and SIP.

### Available option

- 3A version
- FDA approved gaskets
- Suitable for CIP/SIP
- Aseptic version
- Suitable for variable speed drive

### DESIGN FEATURES AND PERFORMANCES

Max operating pressure 600 bar
Flow rate of 30 l/h @ 600 bar
Minimum sample volume approx 500 ml
Three-phase motor 1.5 kW @ 400V / 50 Hz
Net weight 150 kg
Gross weight 180 kg
Dimensions mm W 460 x H 420 x L 800
Connections in/out 1/2" Tri-Clamp™
Feeding hopper volume 2.5 l

- オプション :
- 吐出ラインクーラー
  - 高粘度用圧力フィーダー (1000cp以上)
  - キャスター付き架台

## GEA Mechanical Equipment

GEA Niro Soavi

Via A. M. Da Erba Edoari, 29 - I 43123 Parma (Italy)  
 Phone + 39 0521 965411 Fax +39 0521 242819  
 Info.GeaNiroSoavi@gea.com www.niro-soavi.com