



# Ariete NS3015

## Homogenizer & High Pressure Pump Technical datasheet

The Ariete series is the state-of-the-art technology for powerful reliable high pressure machines and customized solutions. The Ariete machines, compliant to EU safety rules (CE standards) and built according to EN ISO 9001:2008 Quality System, are the best fit for pharmaceutical, dairy, food & beverage, biotechnology, chemical and cosmetics industries.

### Liquid end

- High quality stainless steel and special high wear resistant materials for best mechanical and corrosion resistance performance

- 3-A and electropolished versions available
- Ball (PVB) and poppet valves (PVP) interchangeable into the same block design for maximum product handling flexibility
- Aseptic version compression block available as option, with sterile condensate packing flushing
- Various materials for pumping plungers
- Monoblock construction, up to 600 bar, or multiblock, up to 1500 bar forged high grade Duplex or Super Duplex SS alloy

### Homogenizing valve

- One stage (standard on homogenizers) with pneumatic adjustment from the machine's control panel
- High efficiency homogenizing valve, based on advanced fluid dynamics concepts
- Engineered for easy maintenance and cleaning
- Second homogenising stage as option
- Wear parts made of tungsten carbide, ceramics as option

# Ariete NS3015

## Homogenizer & High Pressure Pump

Available up to 1500 bar, suitable for CIP and SIP, the Ariete machines can be supplied with all necessary customizations for easy integration in any process line, sanitary or aseptic. The wide range of available materials, the low running speed and linear plunger velocity allow Ariete machines to perform at their best also on abrasive and viscous product.

### Power end

- Cast iron power frame
- Heavy duty and reliable power frame housing the transmission elements
- AC motor drive
- Forced lubrication with gear pump, low oil pressure switch and oil cooling
- “V” belts drive and gearbox speed reduction unit
- Polished SS machine casing on stainless steel frame

### Casing

- Made of polished stainless steel with sound proof lining
- Easy access and maintenance with removable panels

### Plungers

- Chrome coated stainless steel
- Tungsten carbide coated stainless steel
- Solid ceramic
- HCR Chromium Carbide coated stainless steel

### Tools and spare parts

- Ordinary maintenance tools and one set of emergency spare parts supplied with the machine
- O&M manual and spare part list on CD-ROM

### Pump valves

- High wear resistant Stellite™ alloy removable seats
- Ball type (PVB) or poppet type (PVP) in solid Stellite™
- Ceramic or tungsten carbide materials available as option

### Pressure measurement & control

- Sanitary design analog high pressure gauge
- Pressure transmitters and transducers available as option
- Overpressure relief valve installed on compression block

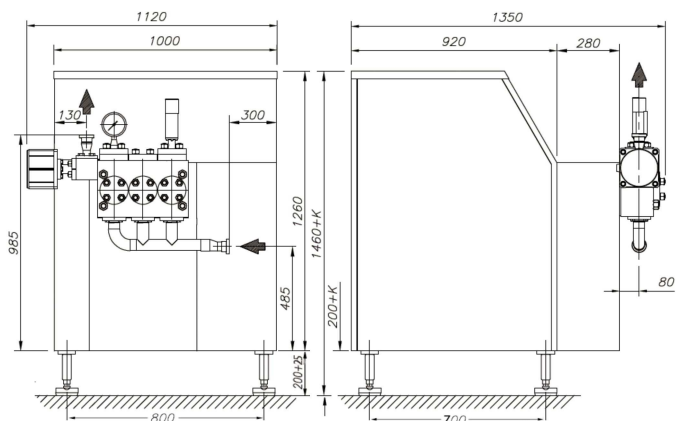
### Product line connections

- DIN 11851, Tri-Clamp™, GEA Tuchenhagen Varivent™
- Others as option upon request

### Main options on request

- High pressure pump version
- 2nd stage homogenizing valve
- Electric power board for fixed or variable capacity
- Machine automation and remote controls
- Aseptic execution
- 3-A execution, FDA approved gasket and cGMP documentation

### Dimensional drawing



Overall dimensions (mm)

### Performance

Pressure (bar)	Max Flow Rate (l/h)	Pressure (bar)	Max Flow Rate (l/h)
100	4500	600	750
150	3000	1000	400
200	2200	1200	370
250	1800	1500	250
400	1100		

Each line refers to a different machine, which is designed for the specific maximum pressure and the specific maximum capacity.

### Design features

Number of plungers	3
Stroke	60 mm
Absorbed motor power up to	15 kW
Net weight	1000 kg
Gross weight	1275 kg
Lubricating and cooling water	90 l/h
Lubricating oil ISO VG 150	20 l
Gearbox oil EP 220	7 l

### GEA Italy

GEA Mechanical Equipment Italia S.p.A.

Via A.M. Da Erba Edoari, 29  
43123 Parma, Italy

Tel +39 0521 965 411  
Fax +39 0521 242 819

info@gea.com  
gea.com